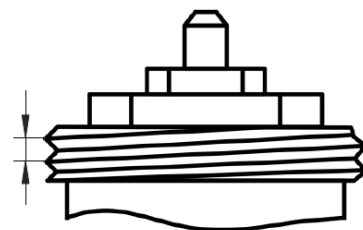
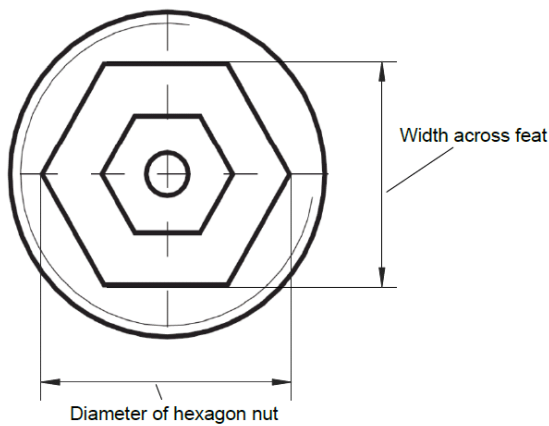
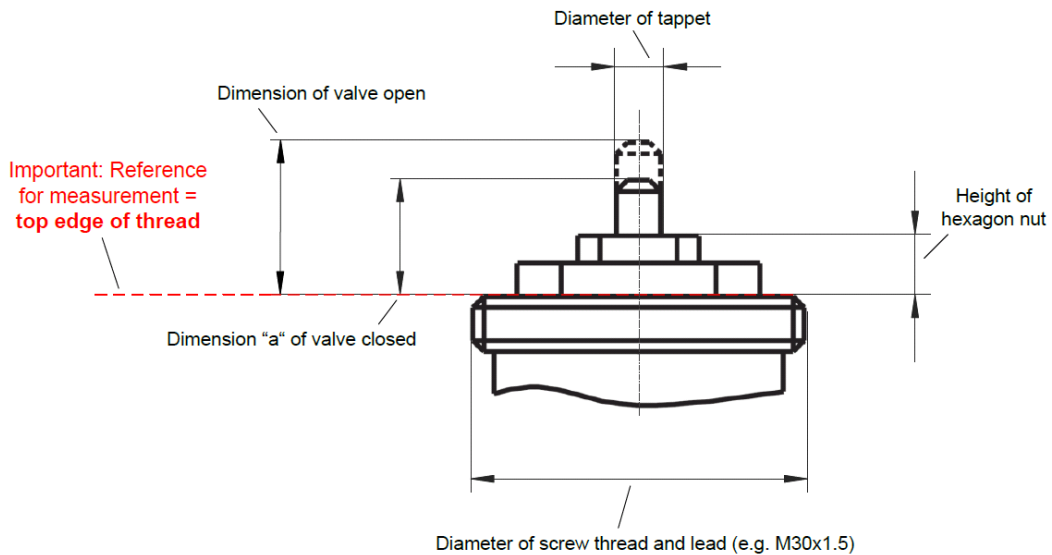


Form to determine valve adaptation for Regin's RTA(O)M actuators

Please complete table according to drawing below (in millimeters)

	Valve 1	Valve 2	Valve 3	Valve 4	Valve 5	Valve 6
Diameter of tappet						
Dimension of valve open						
Dimension "a" of valve closed						
Height of the hexagon nut						
Diameter of screw thread						
Width across feat						
Diameter of hexagon nut						



Note on determining screw lead:
Measure the distance between thread transitions. They have 1mm or 1.5mm.

AB Regin
Head office
Box 116
S-428 22 Källered
Sweden

Phone: +46 31 720 02 00
Fax: +46 31 720 02 50
www.regincontrols.com
order@regin.se

