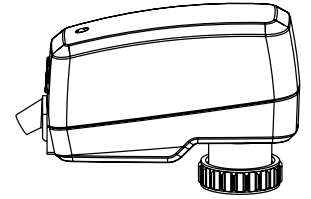


TA-Slider 160

TA-Slider 160 I/O

TA-Slider 160 Plus

TA-Slider 160 CO



	0°C - +50°C	32°F - +122°F	(5-95%RH, non-condensing)
	0°C - +120°C	32°F - +248°F	
	-20°C - +70°C	-4°F - +158°F	(5-95%RH, non-condensing)

Software
A
EN 60730

Type
1AB
EN 60730

IP54
EN 60730

Plus

Relay
230 V

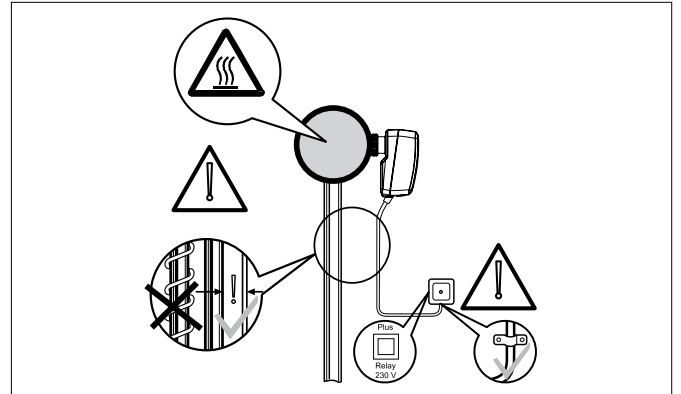
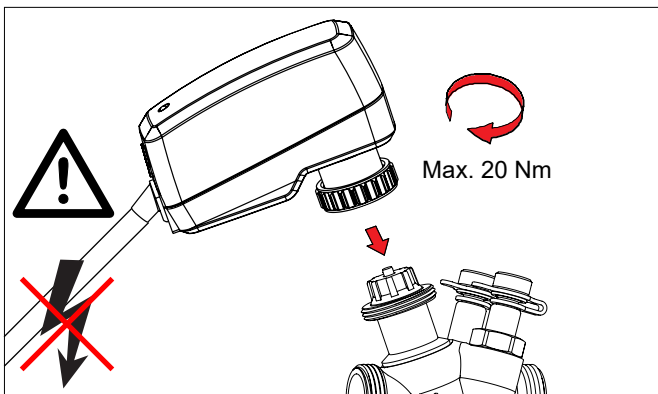
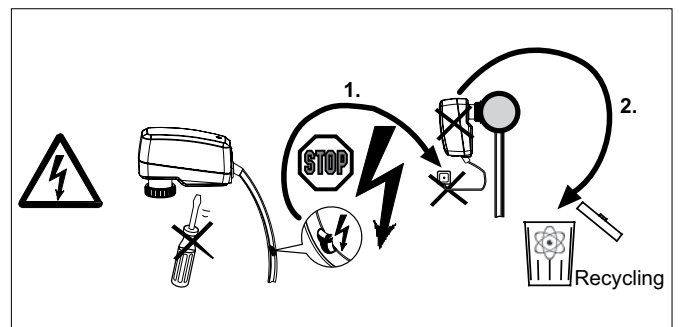
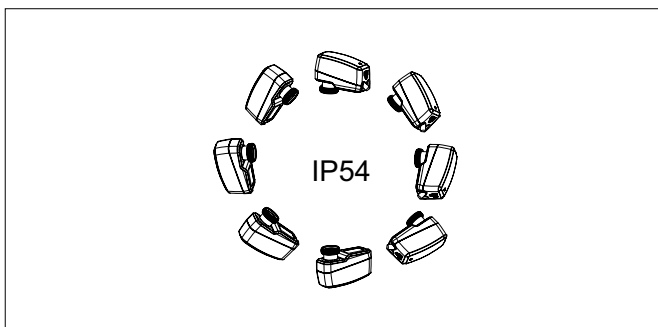
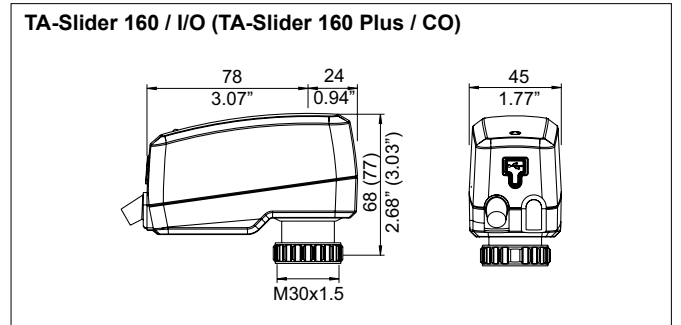
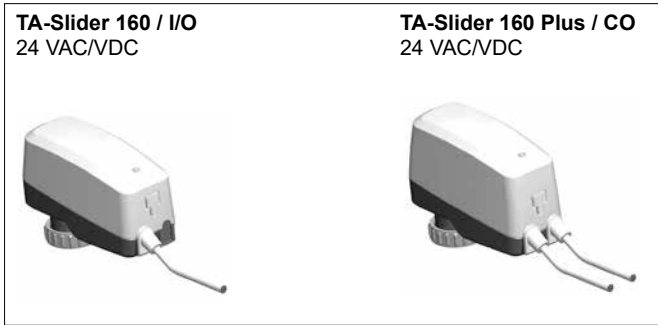
24V

EN 60730

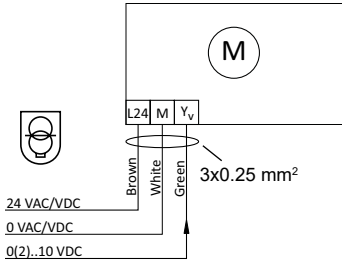
Pollution degree 2

Class II

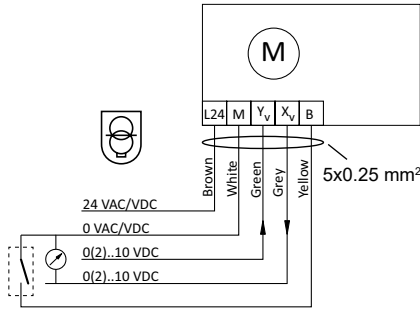
Categ. 2



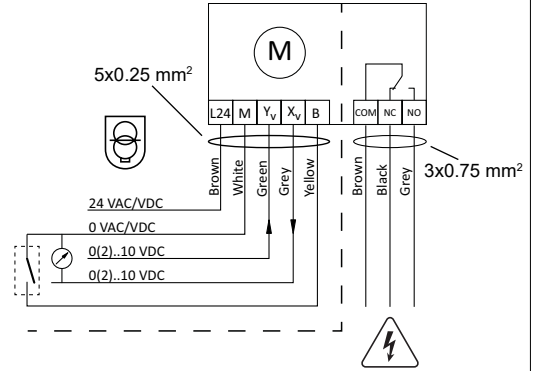
TA-Slider 160




TA-Slider 160 I/O



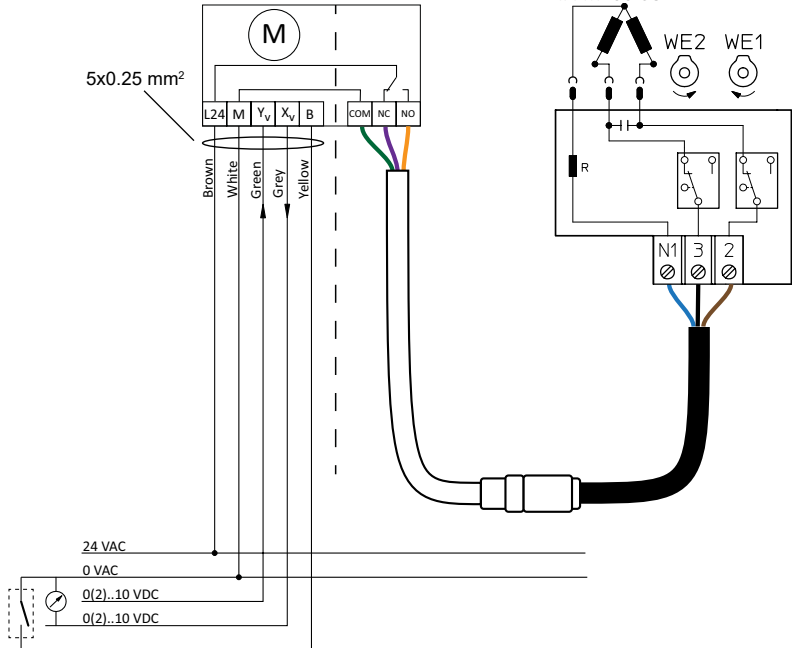
TA-Slider 160 Plus




Terminal	Description
L24	Power supply 24 VAC/VDC
M	Neutral for power supply 24 VAC/VDC and signals
Y _v	Input signal for proportional control 0(2)..10 VDC, 47 kΩ
X _v	Output signal 0(2)..10 VDC, max. 8 mA or min. load resistance 1.25 kΩ
B	Connection for potential free contact (e.g. open window detection), max. 100 Ω, max. 10 m cable or shielded
COM (CO version)	Common contact of relay to connect M106 actuator
COM (Plus version)	Common contacts of relay, max. 250 VAC, max. 5A @ 250 VAC on resistive load, max. 5A @ 30 VDC on resistive load
NC	Normally closed contact for relay
NO	Normally open contact for relay

 24 VAC/VDC operating only with safety transformer according EN 61558-2-6


TA-Slider 160 CO




Quick start



HyTune app



Download on the
App Store



ANDROID APP ON
Google Play


LED

BLUE/RED

	---	---
	---	---
	---	---
	---	---
	---	---
	---	---

VIOLET

	-	-	-
	-	-	-
	-	-	-
	-	-	-
	-	-	-



LED