

71415-00001.1

1

optional

- 1 x 4-6mm
- 1 x 8-10mm
- 1 x UNF 3/8" - 24
- 1 x UNF 1/4" - 28
- 1 x UNF 1/4" - 32
- 1 x M10
- 1 x M8
- 1 x M6
- 2 x
- 2 x M8 x 12
- 2 x M8

EXTRA	LDM	RV 102 E RV 103 E	ZNV-203
	Sauter	VUG / BUG VQD / BQD VQE / BQE	ZNV-204
	Danfoss	AB-QM (DN 40/100)	ZNV-205

2

4 mm/9 Nm

optional

M8

3

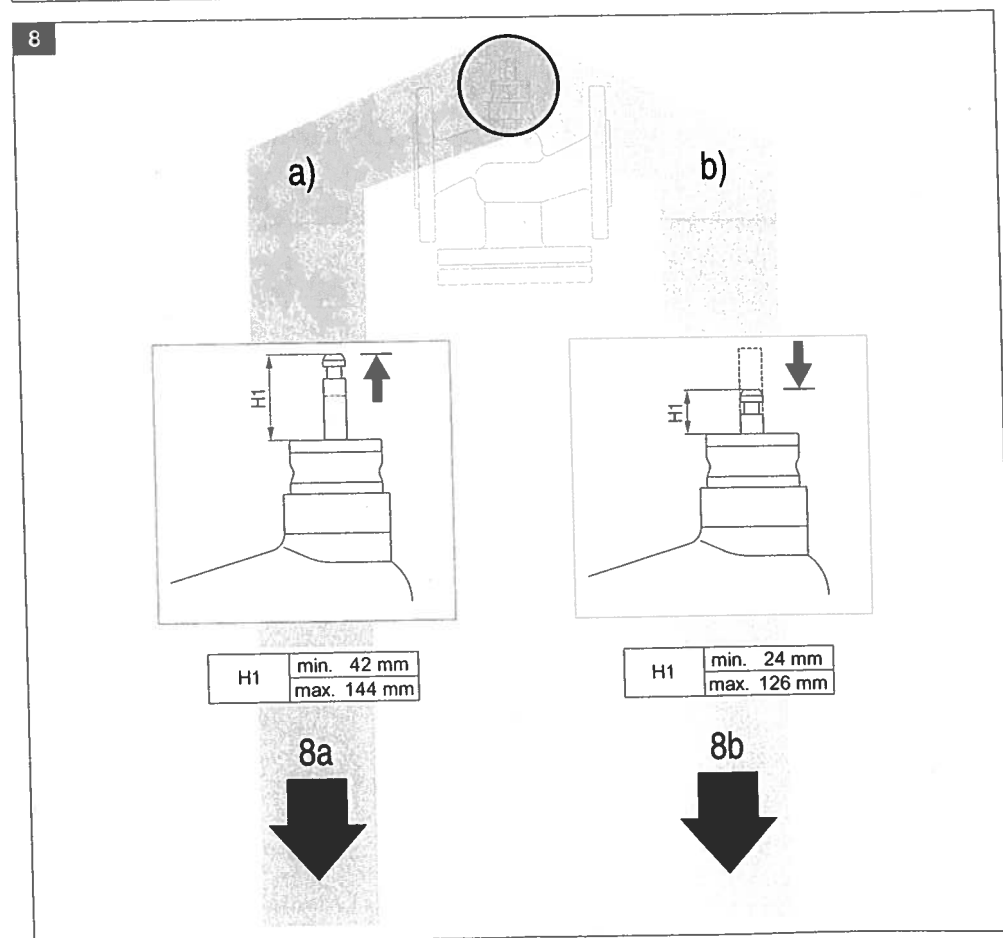
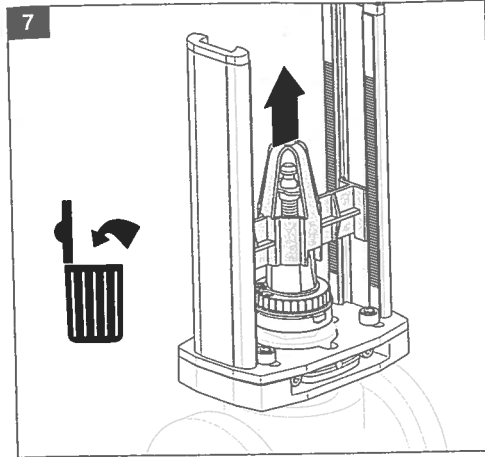
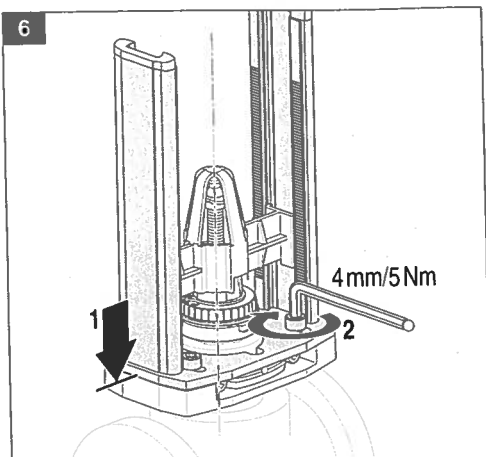
4

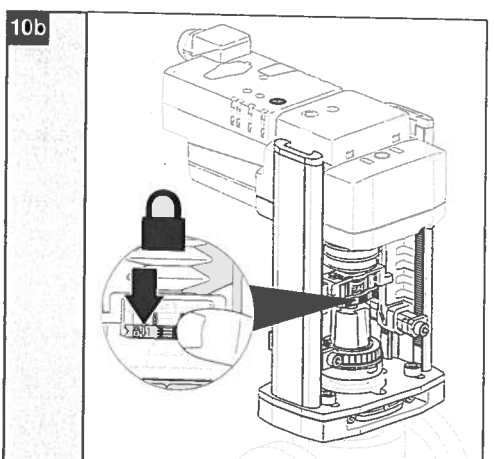
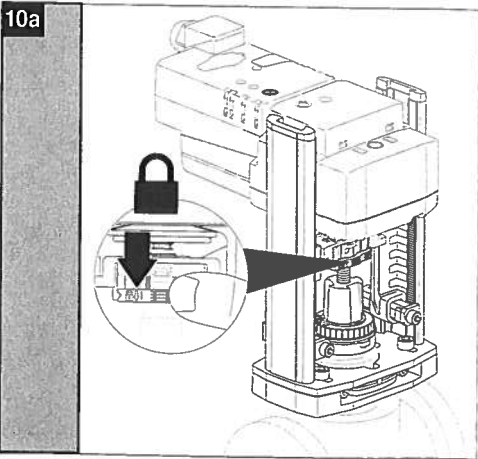
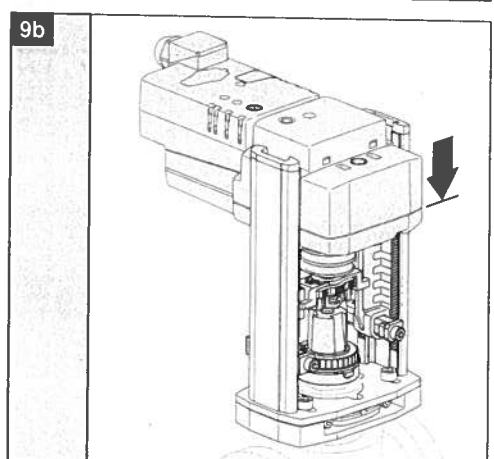
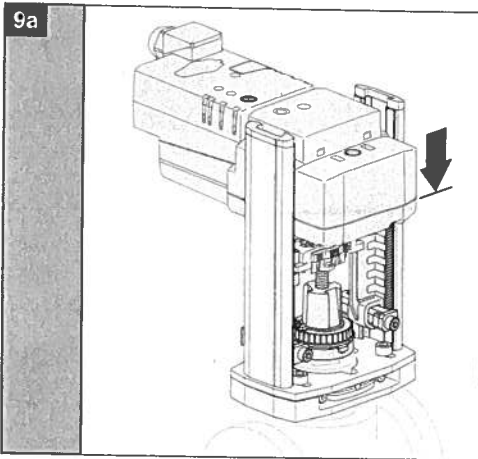
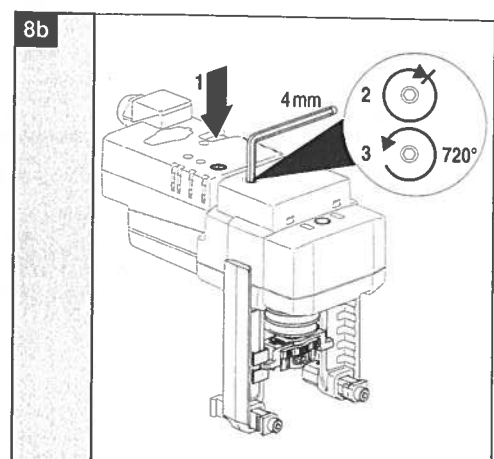
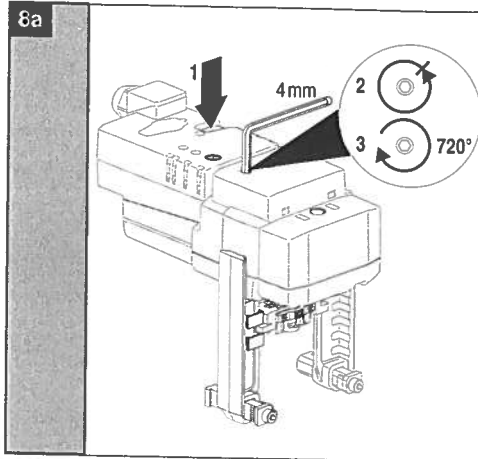
optional

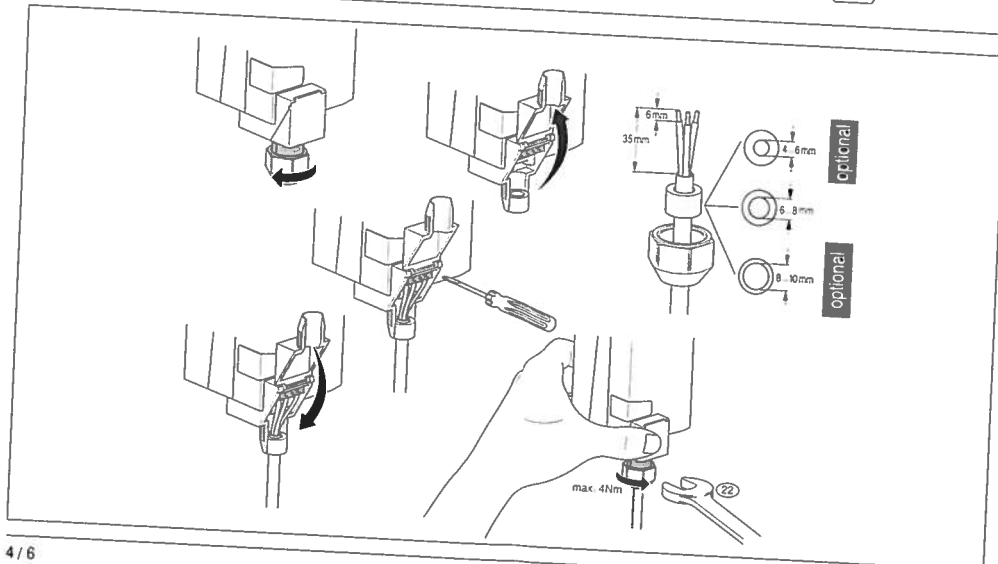
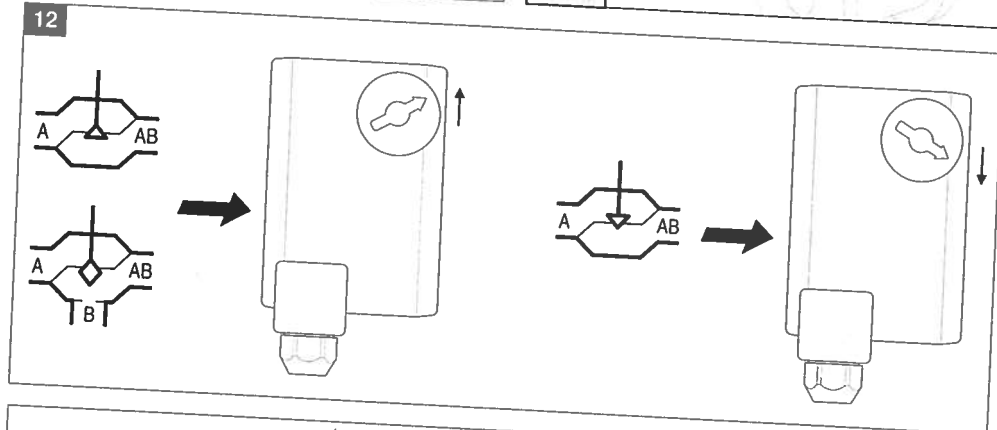
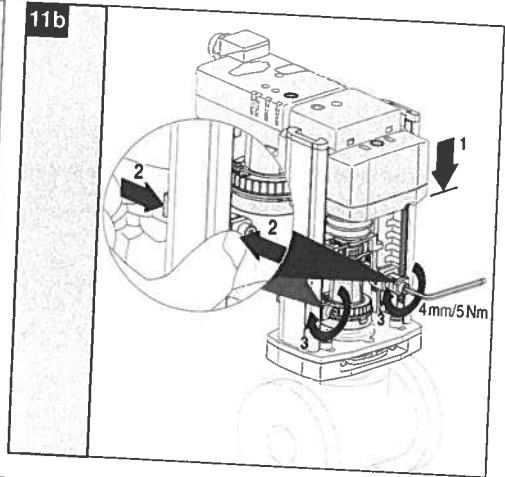
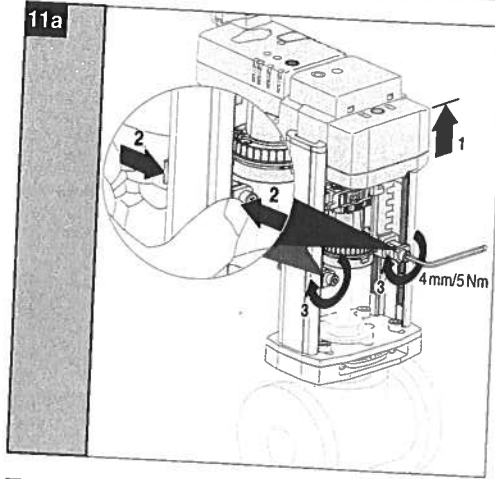
5

www.belimo.com/safety



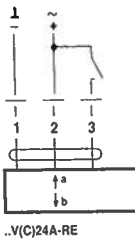






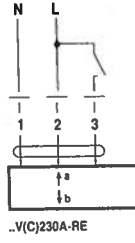


AC 24 V

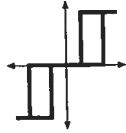


..V(C)24A-RE

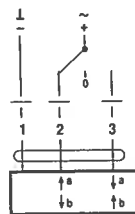
AC 230 V ⚠



..V(C)230A-RE

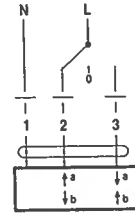


AC 24 V



..V(C)24A-RE

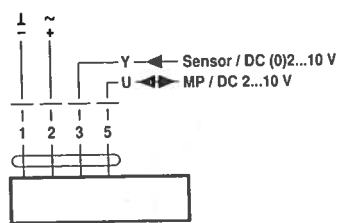
AC 230 V ⚠



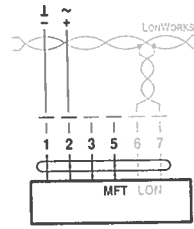
..V(C)230A-RE



AC 24 V / DC 24 V

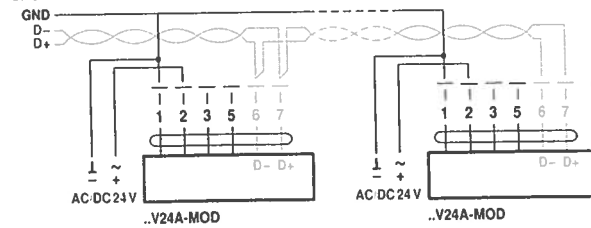


..V(C)24A-MP-RE

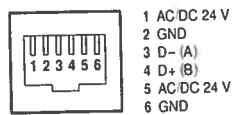


..V24ALON

BACnet MS/TP / Modbus RTU



BACnet MS/TP / Modbus RTU



..V24A-MOD-J6

